

MK SENTRY

Recessed Consumer



Description

The box is made of galvanized cold-rolled steel, the thickness is up to 1mm and with Anti-Shock function. Door and side panels are sprayed with electrostatic powder. Spray coating is up to 40µm. The internal parts of the box also have been galvanized, which has good anti-corrosion function.

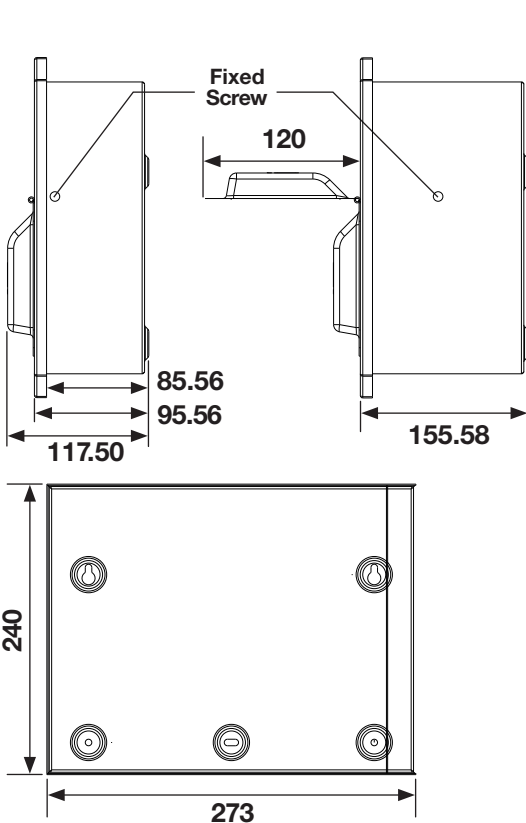
Installation

It includes 8, 12, 16 and 21 way options, available for different customers and installation sites. The dense knock-out holes on both sides of the upper and lower sides realize full coverage from left to right and can be quickly removed at any position where threading is needed.

Standards and approvals

The recessed consumer unit is designed to comply fully with the requirements of BS EN 61439-3.

Dimensions (mm) Consumer unit



TECHNICAL SPECIFICATION

ELECTRICAL

PRIMARY VOLTAGE
220V/240V a.c. 50Hz

AMBIENT OPERATING TEMP
-5°C to +40°C

IP RATING
IP4X Front face ,IP3X Sides

POWER FREQUENCY WITHSTAND VOLTAGE 2500V

MAX. INSTALLATION ALTITUDE
2000 metres

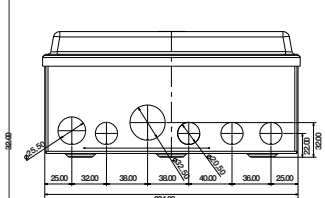
METAL CONSUMER UNITS

WAYS	DIMENSIONS		
	A	B	C
8	238	168	147
12	310	240	147
16	382	308	147
21	472	400	147

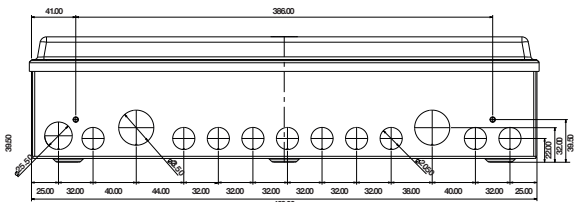
Notes:
The installation depth in the wall is adjustable from 95.5mm to 155.5mm.

Dimensions (mm) Knockout

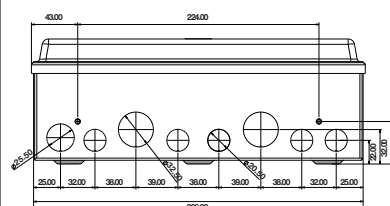
Y5608sMET



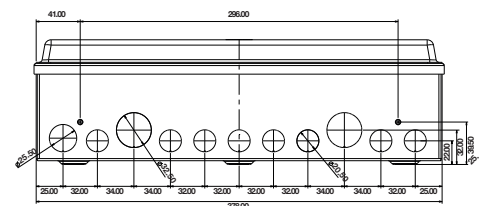
Y5621sMET



Y5612sMET



Y5616sMET



Greenbrook Electrical
West Road,
Harlow, Essex CM20 2BG
Phone: 01279 772700
Email: info@greenbrook.co.uk
www.mk Sentrycircuitprotection.co.uk

Made in China.
The MK Trademark is used under license from Novar ED&S Limited.
Novar ED&S Limited makes no representations or warranties with respect to this product.
This product is manufactured by Yihua.

