

IMMERSION TIMERS

Mechanical & Electronic Options



- + Allows control of hot water
- + Timer 'ON' status indicator
- + Manual override facility
- + 1 year guarantee



T102A



T104A



T106A

Please see overleaf for full timer dimensions

	T102A	T104A	T106A
Description	24 Hour Mechanical	7 Day Mechanical	7 Day / 24 Hour Electronic
Max Load	1.6A Resistive Load 2A Inductive Load	1.6A Resistive Load 2A Inductive Load	1.6A Resistive Load 2A Inductive Load
Product Finish	White		
Barcode	5012739638718	5012739638732	5012739638749
Product Weight	173g	165g	188g
Voltage	230V AC		
Ambient Temperature	-10°C to +55°C		
Shortest Switching Time	15 Minutes	2 Hours	1 Minute
Boost	-	-	-
IP Rating	-	-	-
Battery Back Up	-	-	150 Hours
Display	Mechanical - Analogue Clock Face	Mechanical - Analogue Clock Face & Minute Hand Indicator	Electronic - Digital Display
Settings	96 On / Off, On/Timer/Off Switch Selector	84 On / Off, On/Timer/Off Switch Selector	24 On / Off, Summer Time Setting Option
Guarantee	1 Year		
Conforms To	BS EN 60730-1, BS EN 60730-2-7		



Tel: 01279 772 772
 Email: sales@greenbrook.co.uk
 www.greenbrook.co.uk



IMMERSION TIMERS

Mechanical & Electronic Options



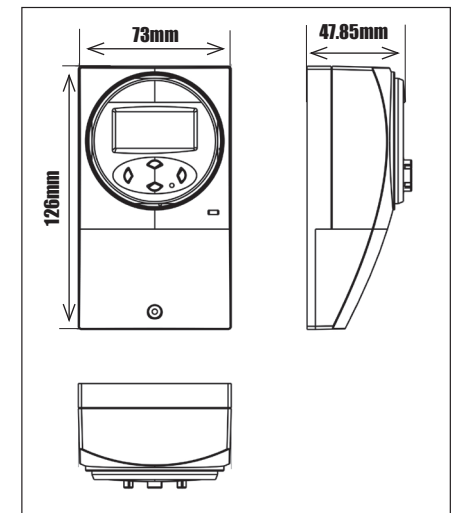
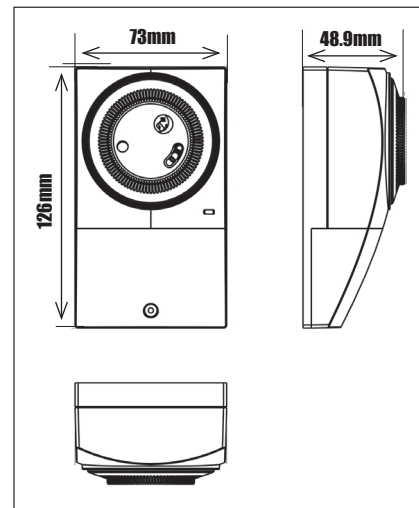
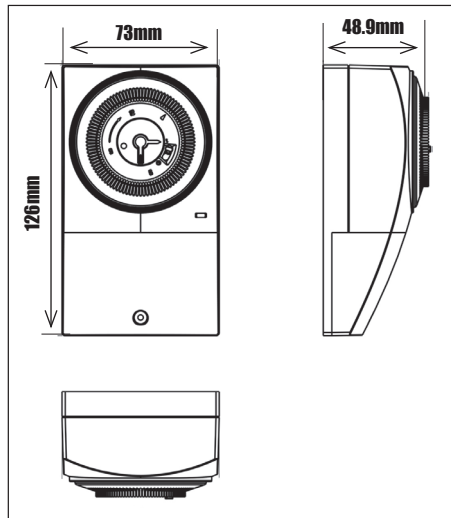
T102A



T104A



T106A



Tel: 01279 772 772
Email: sales@greenbrook.co.uk
www.greenbrook.co.uk

