

Orion Range Occupancy Detectors

- Infra-Red Motion Detector, Ceiling Mounted

- + Suitable for LED and energy saving lamps
- + Detection range 360°
- + Adjustable time delay
- + Adjustable ambient light
- + PIR motion sensor
- + LEDs upto 1000W







OD101

- + Suitable for LED and energy saving lamps
- + Detection range 360°
- + Adjustable time delay
- + Adjustable ambient light
- + PIR motion sensor
- + LEDs upto 300W



OD102

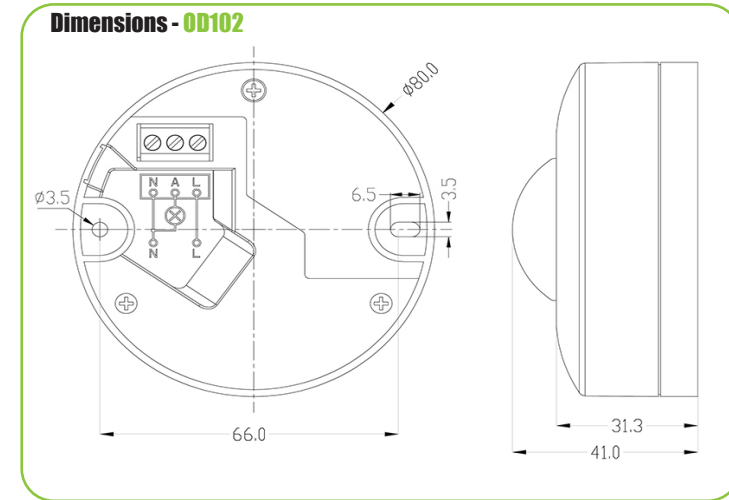
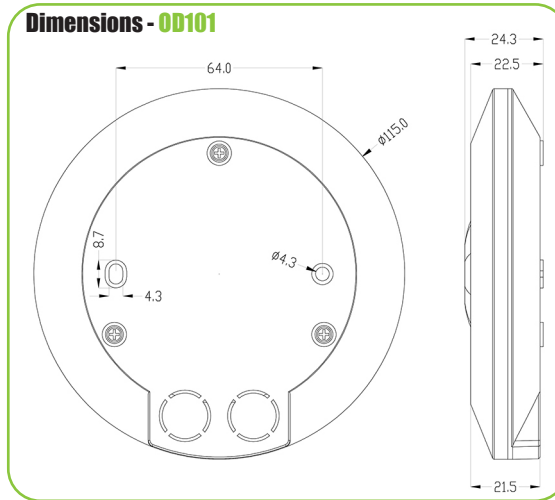
	OD101	OD102
Description	Ceiling Slimline Infra-red Motion Detector	Ceiling Mounted Infra-red Motion Detector
Barcode	5012739642692	5012739642708
Rated Voltage	230V ~ 50Hz	230V ~ 50Hz
IP Rating	IP20	IP20
Ambient Light	<3-2,000 LUX (ADJ)	<3-2,000 LUX (ADJ)
Time Delay	Min 10 Sec ± 3 Sec Max 15 Min ± 2 Min	Min 10 Sec ± 3 Sec Max 15 Min ± 2 Min
Rated Load	Max 2000W  Max 1000W  /LED	Max 1200W  Max 300W  /LED
Detection Range	360°	360°
Detection Distance	6M Max (<24°C)	6M Max (<24°C)
Working Temperature	- 20° - + 40°C	- 20° - + 40°C
Working Humidity	<93%RH	<93%RH
Power Consumption	0.5W approx	0.5W approx
Installation Height	2.2 - 4 Metres	2.2 - 4 Metres
Detection Moving Speed	0.6 - 1.5 m/s	0.6 - 1.5 m/s
Product Weight	104g	83g
Dimensions W x D	115Ø x D 24.3mm	80Ø x D41mm
Guarantee	1 Year	
Conforms To	BS EN 61058-1	

Orion Range - OD101 & OD102

Circuit Diagram & Dimensions



OD101
Ceiling Mounted - Slimline
- Infra-Red Motion Detector



See circuit diagram if you are planning to use two sensors for one circuit.



OD102
Ceiling Mounted
- Infra-Red Motion Detector

