

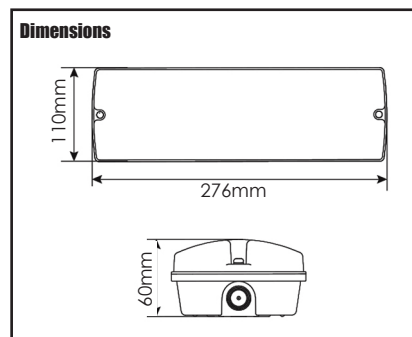
# IP65 2.5W LED EMERGENCY MINI BULKHEAD

## - Non-Maintained / Maintained

- + Hinged Gear Tray
- + Quick Connect terminals
- + Legend pack included as shown below
- + Facility for remote switching
- + 4x 20mm entry points (one at each end, one on side & one on the back of unit)
- + Built in battery protection & charge indicator
- + Link changeable to Maintained / Non Maintained
- + Emergency operation duration 3 Hours
- + 3 Year Guarantee



ELLEDBULK



	ELLEDBULK
Description	Led Mini Bulkhead
Barcode	5012739645389
Voltage	220-240V ~ 50/60Hz
Emergency Power	2.5W
Lumen Output Mains	170 lumens
Lumen Output Battery	110 lumens
Emergency Duration	3 Hours
IP Rating	IP65
Power Factor	0.2
Class Type	I
Colour Temperature	6500K
Ambient Temperature	0°C - 40°C
Function	Maintained
Battery Type	Li-FePO4 18650 / 3.2V / 1000mAh
Dimensions (mm)	L276 x W110 x D60mm
LED Model & Qty	2835 /14 pieces
Charge Time	24 Hours
Beam Angle	120°
Deep Discharge Protection Voltage	3V
Overcharged Protection Voltage	3.6V
Mounting Type	Surface Mounting
Material	Polycarbonate
RAL Colour	RAL 9003
Entry Points	20mm
Product Weight	426g
Guarantee	3 Years
Conforms To	BS EN60598-2-22