

# LED PORTABLE FLOODLIGHTS

## Re-chargeable

- + IP65
- + 2 hours running time
- + Insulated handle grip
- + Fully adjustable frame
- + Floodlight tilts up & down on the stand
- + Complete with mains Charger & Car charger

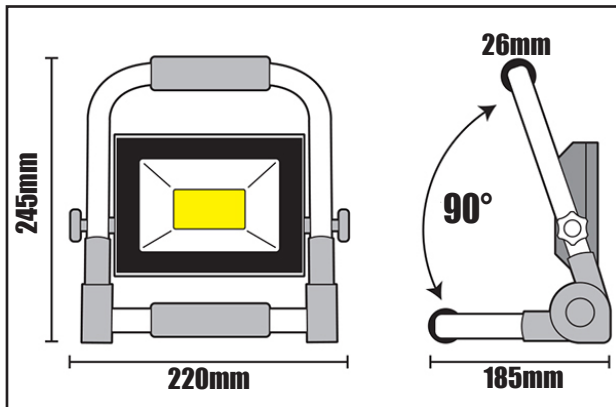


	LPFL10	LPFL20	LPFL30	LPFL50
<b>Description</b>	Portable Floodlight	Portable Floodlight	Portable Floodlight	Portable Floodlight
<b>Barcode</b>	5012739 653773	5012739 653780	5012739 653797	5012739 653803
<b>Wattage</b>	10W	20W	30W	50W
<b>IP rating</b>	IP65			
<b>Input Voltage</b>	DC4.2V	DC4.2V	DC8.4V	DC12.6V
<b>Mains Charger Input Output</b>	100V - 240V DC4.2V	100V - 240V DC4.2V	100V - 240V DC8.4V	100V - 240V DC12.6V
<b>Frequency</b>	50~60Hz			
<b>Current Output</b>	1A			
<b>Car Charger Input Output</b>	DC12/24V DC4.2V	DC12/24V DC4.2V	DC12/24V DC8.4V	DC12/24V DC12.6V
<b>Operating Temp</b>	-20° to +40°C			
<b>Beam Angle</b>	120°			
<b>Battery Type</b>	18650 Lithium 2,200mAh	18650 Lithium 2,600mAh	18650 Lithium 5,200mAh	18650 Lithium 7,800mAh
<b>Colour Temp</b>	6,000K			
<b>Lumen Output</b>	400	800	1200	2000
<b>Charging Time</b>	3 - 4 hours			
<b>Running Time</b>	2 Hours			
<b>CRI</b>	>80			
<b>Housing Material</b>	Aluminium Die-Casting Body with Tempered Glass			
<b>Product Weight</b>	0.854kg	1.069kg	1.399kg	1.882kg
<b>Packed Weight</b>	1.102kg	1.336kg	1.704kg	2.240kg
<b>Guarantee</b>	3 Year			
<b>Conforms To</b>	BS EN 60598			

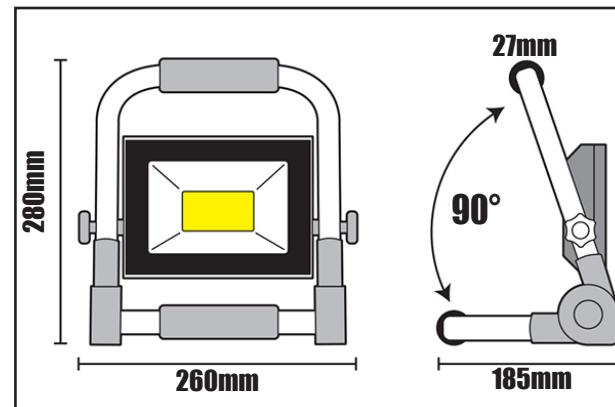
# LED PORTABLE FLOODLIGHTS

## Dimensions

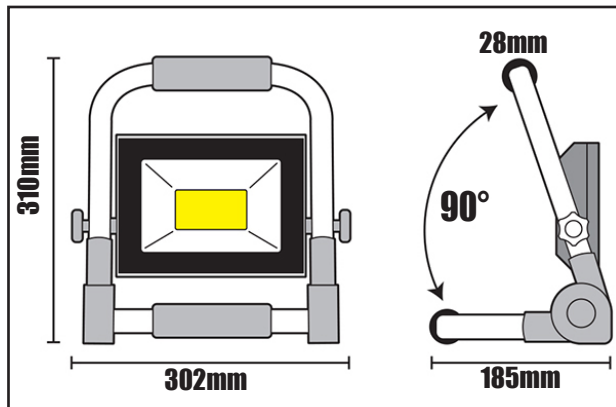
**LPFL10**



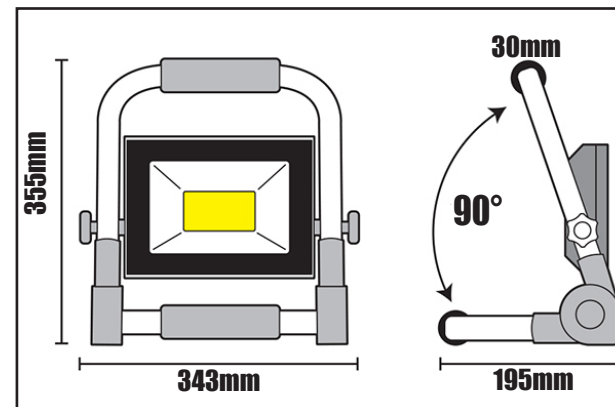
**LPFL20**



**LPFL30**



**LPFL50**



**Safety Note:**

Only use the supplied chargers i.e. 10W chargers with the 10W floodlight, 20W chargers with the 20W Floodlight...  
These floodlights are battery operated products.