

INSTALLATION/OPERATING INSTRUCTIONS FOR T69 7 DAY ELECTRONIC SOCKET BOX TIMER

MODEL NUMBER: T69.

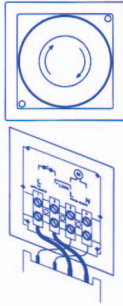
Please read these instructions fully before attempting installation.

WARNING

Installation should be carried out by a qualified electrician in accordance with the current regulations.

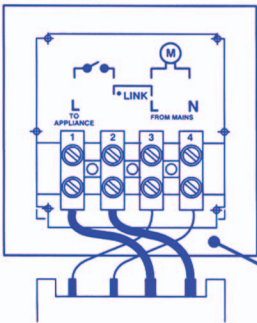
INSTALLATION

- Before you begin to install, DISCONNECT FROM MAINS SUPPLY.
- Prepare cable ends for connection to terminals.
- Remove the 2 screws holding timer cover to the backplate. Remove cover leaving the timer hanging loose by its connection wires to the backplate. DO NOT INTERFERE WITH THESE FIXED CONNECTIONS.



WIRING

- Connect all earth wires to earthing point in wall box.
- Offer up the backplate to the wall box and connect the wiring as shown in diagram.



Diag. 1.

DO NOT INTERFERE WITH THESE FIXED CONNECTIONS

1. Live output to appliance
 2. Make link to switch 230V AC only
 3. Live from mains
 4. Neutral from mains and neutral output to appliance
- When the wiring is complete screw the backplate to the fitted wall box using the two 3.5mm screws provided.
 - Push the timer back in to its seating on the backplate, taking care that all the wires are tucked in. Fit the cover and tighten the two screws.

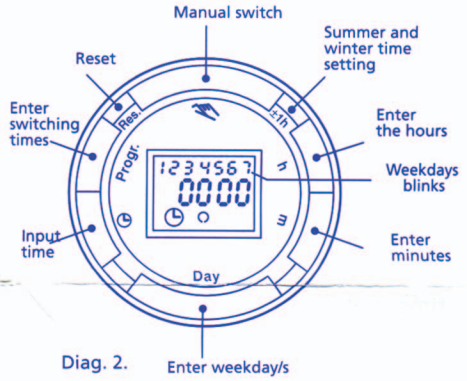
NOTE

Make the link to switch 230V AC only. Should you wish to switch other than 230V AC do not use link to terminal 2 & 3. Feed the required switching voltage to terminal 2 and output from terminal 1.

INSTRUCTIONS

- Activate the "RES" switch (RESET) to

- similar pointed instrument) Do this – every time you wish to "reset" the timer
- to erase all switching times and the current time of day
- After approximately two seconds the following display appears:



ENTER CURRENT TIME AND WEEKDAY

- Keep the ⌚ key pressed down.
- During the summer-time period press the "± 1hr" key once.
- Enter the hour using the "h" key.
- Enter the minutes using the "m" key.
- Enter the day using the "Day" key. 1 = "Monday" ... 7 = "Sunday".
- Release the ⌚ key, the colon now blinks once a second.

NOTE

If you keep the "h" and "m" keys pressed down for more than 2 seconds, the display will enter fast-forward scroll mode.

ENTERING THE SWITCHING TIMES

- If your entry is incomplete, the segments not yet selected will blink in the display.
- You have 20 memory locations available. Each switching time takes up one memory location.
- Keep pressing the "prog" key until a free memory location is shown in the display "--:--".
- Programme ON or OFF with the ⏻ key:

○ = OFF, ● = ON

- Enter the hour using "h".
- Enter the minute using "m".
- If a switching command is to be carried out every day (1,2,3,4,5,6,7) then store using the ⌚ key otherwise select the day(s) it is to be carried out on using the "Day" key.
- When the day selection is left blank, the programmed switching instruction operates at the same time every day.

1,2,3,4,5,6 = Monday – Saturday

1,2,3,4,5 = Monday – Friday

6,7 = Saturday – Sunday

Selection of single days:



1 = Mon... 2 = Tues.

- Store using the ⌚ key.

The timer enters the automatic operating mode and displays the current time of day.

- Begin any further entry of a switching time with "Prog" switch.

IF NECESSARY


- Once you have finished programming, and have returned to the current time display, by pressing the  button, the timer will not automatically switch to the current programmed status until the next timed setting.
- You can put the timer into the correct mode with the  key.








ADDITIONAL FUNCTIONS

SWITCHING FROM SUMMER-TIME TO WINTER-TIME AND VICE VERSA

- Press the "± 1hr" key once.




MANUAL OVERRIDE SWITCH

- With the  you can change the current switching settings at any time.
- The switching program already entered is not altered.

Automatic  Operation	Manual  Override	Continuous [] Operation
 = ON	 = OFF	 = Continuously ON
 = OFF	 = ON	 = Continuously OFF

The switching times correspond to the program entered.

If the current switching mode is changed manually, the next switching time will be carried out automatically again according to the entered switching program.

You can only return to automatic mode from the continuously-ON  and continuously-OFF  switching modes by pressing the  key.

READING THE PROGRAMMED SWITCHING TIMES

- Pressing the "Prog" key displays the programmed switching times until the first free memory location appears in the display "--:--".
- If you now press the "Prog" key once again, the number of free memory locations will be displayed, e.g. FR 18.
- If all memory locations are occupied, the display "FR 00" appears.


CHANGING THE PROGRAMMED SWITCHING TIMES

- Press the "Prog" key repeatedly until the switching time you want to change is displayed. You can now enter the new data.

NOTES ON STORING SWITCHING TIME

- If you end your entry of the switching times by pressing the "Prog" key, then the switching time you have entered will be stored and the next memory location displayed.
- Entry of further switching times is also carried out.
- In addition, a complete switching command is stored automatically after around 90 seconds provided no other key is pressed.
- The time switch then enters the automatic operating mode and displays the current time again.

DELETING INDIVIDUAL SWITCHING TIMES

- Press the "Prog" key repeatedly until the switching time you wish to delete is shown in the display.
- Then set to "--:--" using the "h" or "m" key and keep the  key pressed down for around 3 seconds.
- The switching time is now erased and the current time is displayed.

AM/PM TIME DISPLAY

- If you press the "± 1hr" and "h" keys at the same time, the time display switches into the AM/PM mode.

TECHNICAL DATA

Connection: See label on unit

Switching capacity: See label on unit

Ambient temperature: -10°C to +55°C

Running reserve: 5 hours

Memory location: 20

Shortest switching time: 1 minute

Programmable: Every minute

GUARANTEE

Your GreenBrook 7 Day Electronic Socket Box Timer is guaranteed for 12 months.

PLEASE KEEP THESE INSTRUCTIONS SAFE FOR FUTURE REFERENCE

GreenBrook Electrical Plc
7 Astra Centre,
Harlow
Essex
CM20 2BG

Email gbe@greenbrook.co.uk
Web page www.greenbrook.co.uk

Issue number 700675

