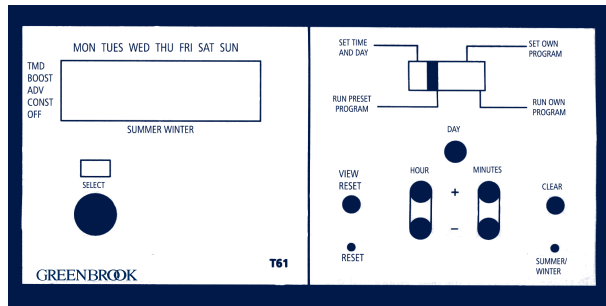


GREENBROOK

ELECTRICAL PLC INSTALLATION/OPERATING INSTRUCTIONS FOR CENTRAL HEATING TIMER

MODEL NUMBER: T61-C



Thank you for purchasing a central heating timer from GreenBrook Electrical. This Timer must be wired up by a qualified electrician, using the following installation instructions.

KEEP THESE INSTRUCTIONS SAFE FOR FUTURE REFERENCE

TIMER FEATURES

T61 is a timeswitch, designed to control central heating only. Typically the unit would be fitted to control a 'Combi' Boiler.

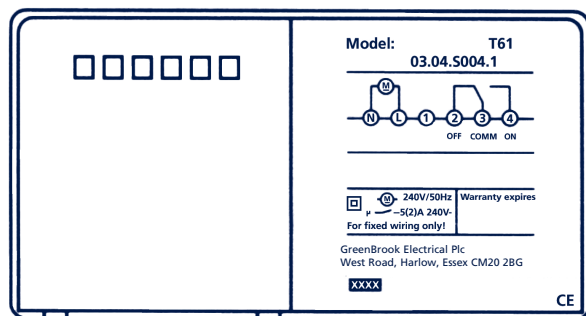
The liquid crystal display shows the current time and day, and the status of the heating. In addition, there is an L.E.D. indicator which glows red to indicate the HEATING ON, as well as the manual override button which allows selection of the TIMED; BOOST; ADVANCE; CONSTANT and OFF functions.

There are a total of 14 on and 14 off spaces, making 28 switching selections altogether.

INSTALLATION PROCEDURE

Remove timer from packaging and prepare it for use on Fully Pumped System or for Gravity Hot Water.

For Gravity Hot Water Systems no action is required. For Fully Pumped Systems the switch located at the rear of the timer must be moved to the right - into the "FULLY PUMPED" position.



LOCATION

To ensure clearance for the door, ensure that you have a minimum of 4cm clearance below the programmer when mounted.

IMPORTANT

Do not locate timer in a position prone to condensation, splashing water, vapour from cooking, kettles or in close proximity to a heat source such as hobs or toasters.

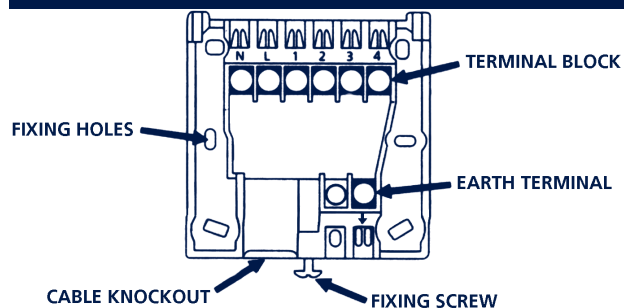
LOCATING TIMER BACKPLATE

Remember clearance for door: the button edge of the Backplate when mounted on the wall should be 5cm from the nearest obstruction.

The programmer when plugged on will have 4cm clearance.

Backplate can be mounted over a standard flush fitting square metal wall box (screws not provided) with wires coming through the rear of the Backplate, or Backplate can be surface mounted, using the holes provided with the cables running through the knock-out provided. at the bottom of the Backplate.

WIRING PROCEDURE



Either surface run or wiring from the wall box should be carried out by a competent electrician and should conform to the appropriate regulations.

IMPORTANT

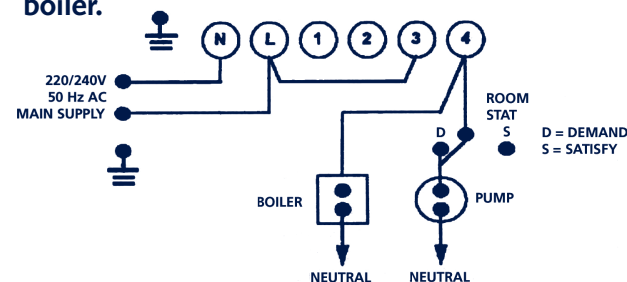
Mains supply to the Backplate must not be switched on until the timer is attached and secured and all electrically connected equipment within the heating system is protected against accidental contact.

Timer is double insulated so earth protection is not required. We have, however, made available in the Backplate a convenient terminal for earth continuity which should be used if earth conductors are present in your cable. Make sure that you sleeve earth conductors to prevent accidental contact with live parts.

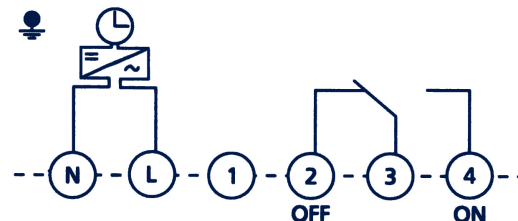
Where possible use a wiring centre or junction box to avoid over cramming the Backplate wiring.

WIRING DIAGRAMS

Simple circuit for domestic central heating boiler.



INTERNAL WIRING DIAGRAM



IMPORTANT NOTE

It is important that you always refer to the Boiler Manufacturer Instructions concerning electrical wiring before using the information contained in this leaflet. The Boiler Manufacturers Instructions will contain information regarding (in some cases) removal of certain link wires and will always indicate the fuse rating for the main electrical supply.

PLUGGING ON TO AN EXISTING BACKPLATE

First switch off mains supply. Remove the old programmer from its backplate and check whether it is set for a fully pumped system or gravity hot water. Check carefully the condition of the existing wiring to see if it is correctly, safely and professionally wired. Check that the existing Backplate is not damaged, corroded or electrically burned. Only if you are satisfied that these conditions exist should you then plug in the T61, secure with the fixing screw, after checking safety of other components, turn on the mains and program according to these instructions (See programming section).

IMPORTANT

Any damage caused to the T61 as a result of plugging in to an existing faulty Backplate will invalidate the Guarantee.

If the battery is in a fully discharged condition at the time of installation then the screen will be blank. The screen will start to display approximately 2 minutes after plugging into mains supply. Now press reset Button.

OPERATING INSTRUCTIONS

PREPARING FOR OPERATION

Please read these instructions prior to programming, as it will enable you to get the most out of your timer.

Once the timer is wired in, press the small "reset" button before you start programming (a ball point pen or similar should be used to press the button).

The "reset" button should only be used when you want to reset the timer or want to erase all the switching and the current time settings. (except GreenBrook preset timers).

SETTING THE PRESENT TIME AND DAY OF THE WEEK

- Lower the front hinged cover.
- Move the slide switch to the "SET TIME AND DAY" position.
- Press "RESET" button - after a short delay, the screen will show

12.00 AM

- Press 'DAY' - a cursor will appear under "MON". Continue pressing the day button until the required day of the week is reached.
- If you are setting the clock during summer time (BST), then press "SUMMER/WINTER" button until the pointer at the bottom of the screen points to "SUMMER" and vice versa for winter.
- Press "HOUR+/-" and "MINUTES+/-" to set current time and day.
- Your GreenBrook T61-C timer is now ready for programming.

NB: Slide switch must always be left in "RUN PRESET PROGRAM" or "RUN OWN PROGRAM" position, otherwise the clock will not run and no switching will occur.

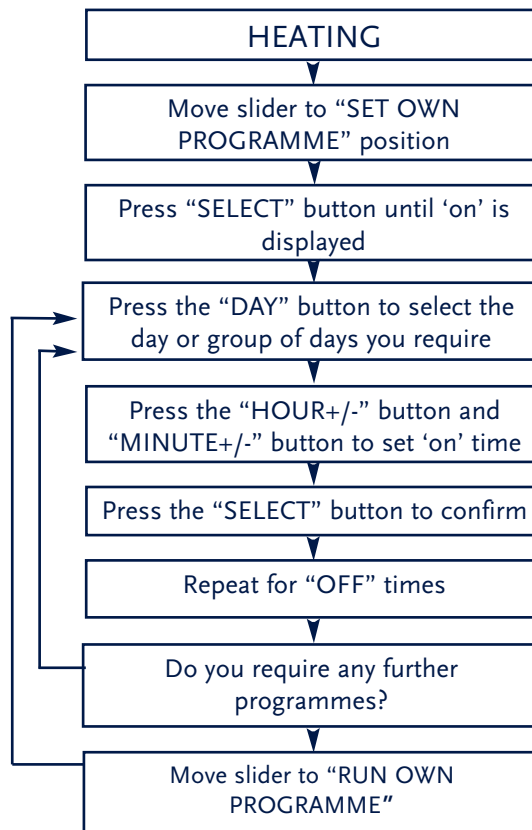
RUNNING THE PRESET PROGRAMME

Move sliding switch to "RUN PRESET PROGRAMME" The GreenBrook preset times for heating are as follows:-

DAY COMBINATION	AM	PM
Monday - Friday	06.30 - 08.30	16.30 - 22.30
Saturday - Sunday	08.00 - 11.00	16.00 - 23.00

These can be reviewed by pressing the "VIEW PRESET" button when the timer is in the "RUN PRESET PROGRAMME" mode.

ENTERING YOUR PERSONAL HEATING PROGRAMMES



To view any programmes entered, press the select button to display both on and off times. When the slider is still in "SET OWN PROGRAMME" mode.

READ/ADJUST/CLEAR PROGRAMMES ENTRIES

With the slide switch in "SET OWN PROGRAMME" position you can read your programme selections - press "SELECT" button repeatedly to view on/off times. While you are viewing any programme selection, you can alter the settings or you can delete the displayed settings by pressing the "CLEAR" button. Press the "SELECT" button to view, alter or delete other setting as required.

MANUAL OPERATION FUNCTIONS

While the program is in the "RUN PRESET PROGRAMME" or "RUN OWN PROGRAMME"

(See table below)

TMD	Shows times which are programmed into the unit
BOOST	The heating will be switched on for one hour, and automatically return to the timed function.
ADV	Advances the programme onto the next scheduled programme
CONST	The heating stays on permanently - until you next move the arrow by use of the override button. You can use the "select" button to override the timer function to select the following manual operation.
OFF	The heating stays off permanently - until you next move the arrow by use of the override button.

TECHNICAL DATA

Dimensions:	156 x 85 x 42mm
Power Supply:	240V / 50Hz
Rating:	5A (2A)/240V
Memory Locations:	28
Battery:	Permanently fixed re-chargeable(not replaceable)
Battery reserve:	500 hours plus (after 70 hours charge)
Installation:	Double insulated
Fitting:	Surface mounted or single gang plaster depth socket outlet
Maximum ambient temperature:	50°C
Type 1 action:	Type 1B
Micro disconnection:	Type 1B
Pollution protection:	Normal pollution situation

GUARANTEE

Your Central Heating Timer is guaranteed for 12 months from date of purchase. This is in addition to your statutory rights.

PLEASE KEEP THESE INSTRUCTIONS SAFE FOR FUTURE REFERENCE



GREENBROOK
ELECTRICAL PLC
WEST ROAD . HARLOW
ESSEX . CM20 2BG . UK
sales@greenbrook.co.uk
WWW.GREENBROOK.CO.UK